

German Steel Engineering

CNC Holder Series

Compatible with various CNC routers and machines, this versatile tool holder is made from durable materials to withstand daily use in demanding industrial environments.

Features

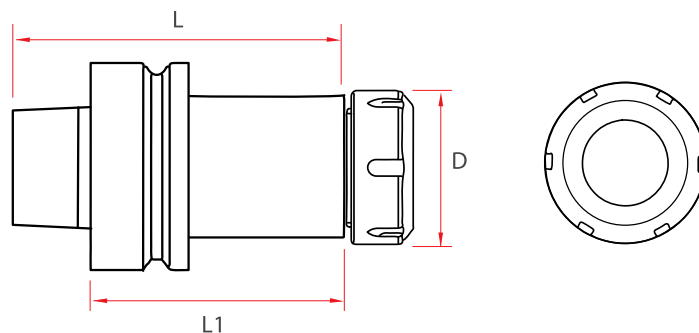
- Provides a secure grip for precise cutting, enhancing productivity.
- Made from durable materials for long-lasting performance.
- Easy tool installation reduces downtime and boosts efficiency.
- Intergrates seamlessly with CNC machines for a complete setup.

Specification

*Unit : mm

Item Code	Item Model	d(mm)	h(mm)	D(mm)
GS HH3J	HSK63F- ER25	42	100	74
GS HH48	HSK63F- ER32	50	73	47
GS HH59	HSK63F- ER40	63	76	47

Physical Characteristics



| Must-have items

CNC Tool



Tool Holder Fork for HSK63F
GS THOJ

